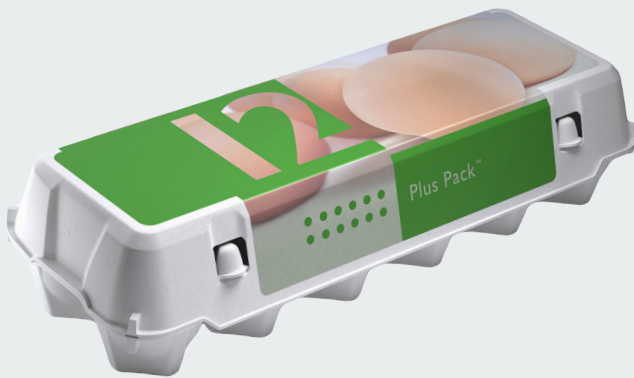


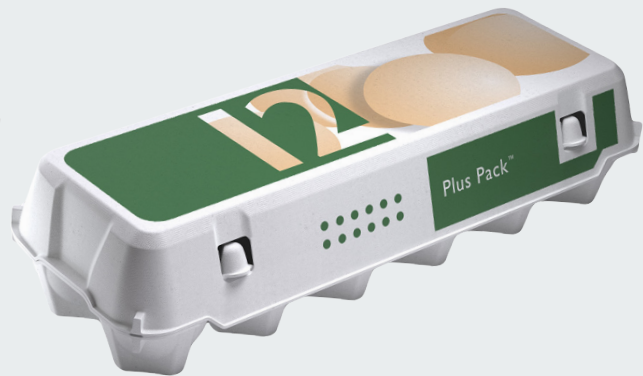
# 1 x 12 Plus Pack™ E3712



## Product range



Label



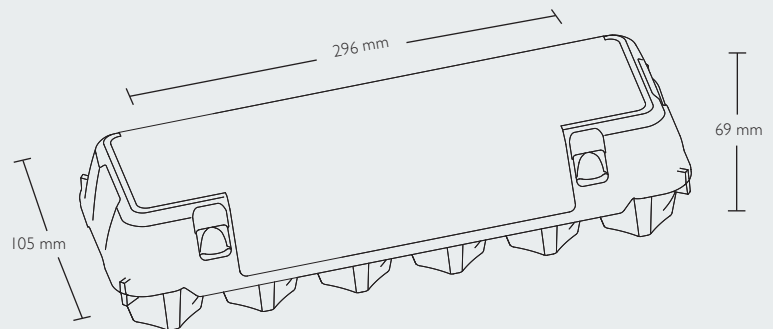
Direct print

## Egg sizes

Our E3712 egg cell is constructed for weight classes S, M, L

## Product dimensions (closed)

Width: 105 mm  
Height: 69 mm  
Length: 296 mm



## Colours

Standard colours

00 white

25 special brown

88 light green

64 ocean

11 yellow

31 special yellow

08 green

20 grey

1 x 12 Plus Pack™ E3712


**Average product weight**

 With label: 51.1 g  
 With direct print: 48.6 g

**Quantities**

Pallet:	44A one way	79 one way UK
Units per bundle:	67	70
Units per pallet:	3.752	4.480

**Machine settings**
**Moba Code: HA1213**

 Gripper Set No.: 162  
 Denester settings:

L	G	J	II	I2
15	23	14	10	36

**Sime-Tek Code: 3712**

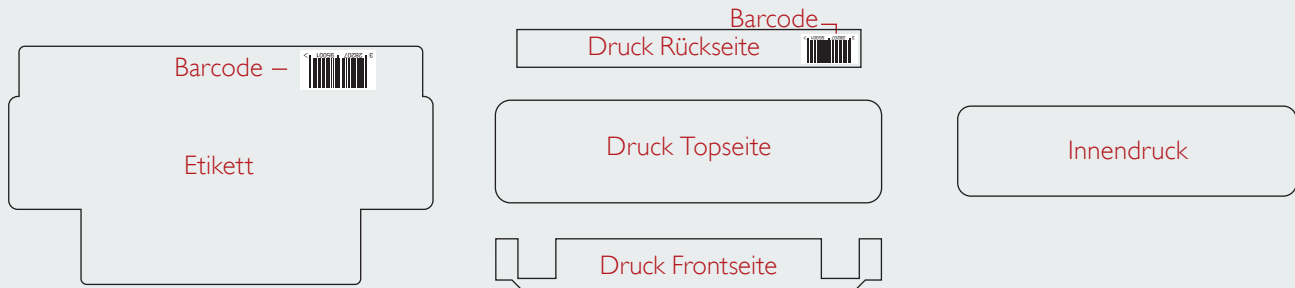
Denester settings:

A	B	C	D
300	4	87	142

**Sanovo Code (Staalkat): HA-0064**
*Disclaimer: Please consult MOBA, SANOVO or SIME-TEK for confirmation of the machine settings*
**Decorations**

 Label:  
 CMYK and up to 2 spot  
 colours on request

 Direct print:  
 Top: 4-colour  
 Front and rear: 2-colour

 Inlid print:  
 1-colour black

 Modules for labels and print areas can be downloaded at [www.hartmann-packaging.com](http://www.hartmann-packaging.com)
**Certification**

**Certifications (optional)**
