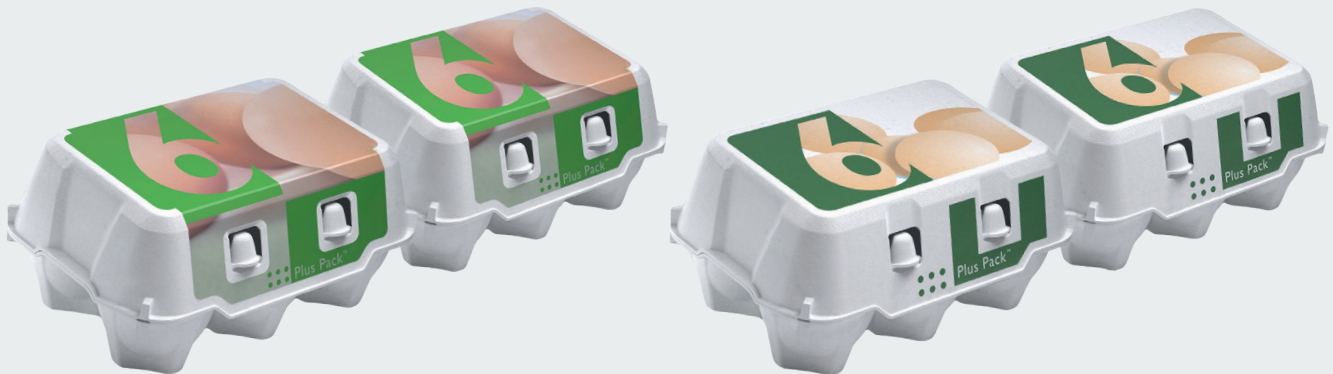


# 2x6 Plus Pack™ E3512



## Product range



Label

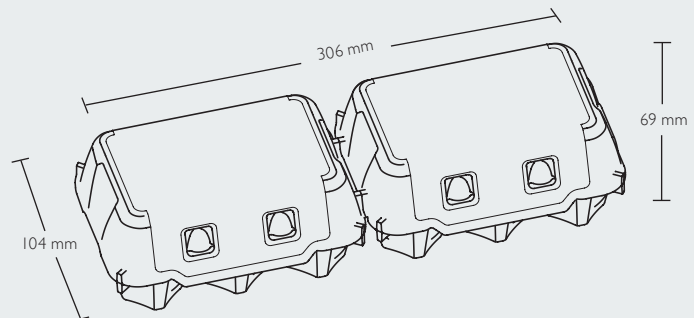
Direct print

## Egg sizes

Our E3512 egg cell is constructed for weight classes S, M, L

## Product dimensions (closed)

Width: 104 mm  
 Height: 69 mm  
 Length: 306 mm



## Colours

Standard colours



2x6 Plus Pack™ E3512


**Average product weight**

 With label: 50.8 g  
 With direct print: 48.6 g

**Quantities**

Pallet:	44A one way	79 one way UK
Units per bundle:	67	70
Units per pallet:	3.752	4.480

**Machine settings**
**Moba Code: HA2611**

 Gripper Set No.: 162  
 Denester settings:

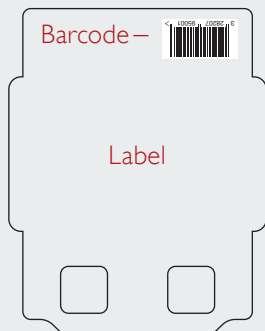
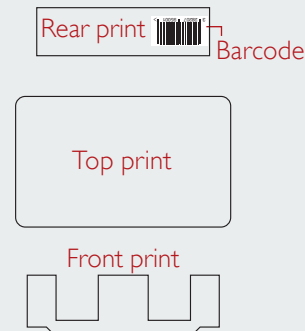
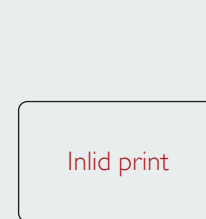
L	G	J	11	12
12	28	9	12	36

**Sime-Tek Code: 3512**

Denester settings:

A	B	C	D
315	8	85	114

**Sanovo Code (Staalkat): HA-0063**
*Disclaimer: Please consult MOBA, SANOVO or SIME-TEK for confirmation of the machine settings*
**Decorations**

 Label:  
 CMYK and up to 2 spot colours on request

 Direct print:  
 Top: 4-colour  
 Front and rear: 2-colour

 Inlid print:  
 1-colour black

 Modules for labels and print areas can be downloaded at [www.hartmann-packaging.com](http://www.hartmann-packaging.com)
**Certification**

**Certifications (optional)**
