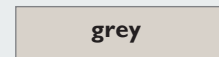


1 x 18 HartTop R8318

Product

Colors

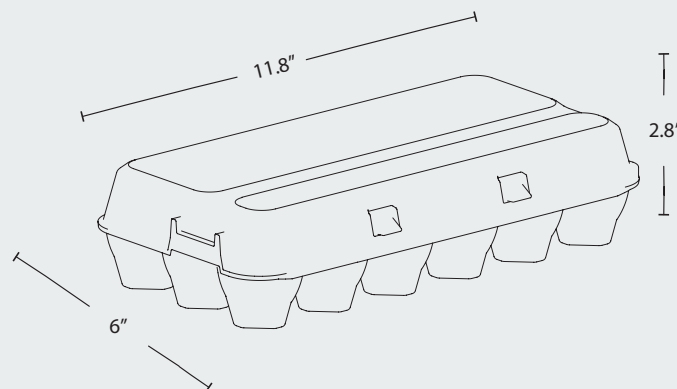
Standard color


Availability

 Direct print
Label

Egg Sizes

Our R8318 egg cell is constructed for weight classes S, M, L and XL.

Product Dimensions


	Length	Width (open)	Height (open)	Width (closed)	Height (closed)
Millimetres-Measurements	300	338	69	152	71
Inches-Measurements	11.8	13.3	2.7	6.0	2.8

1 x 18 HartTop R8318

Average Dry Weight

With direct print: 74 g | 2.6 oz With label: 78.7 g | 2.8 oz

Bundle Specs

Cartons: 100	Length	Width	Height	Direct print		Label	
Millimetres-Measurements	965	338	300	Bundle Weight		Bundle Weight	
Inches-Measurements	38	13.3	11.8	(kg)	(lb)	(kg)	(lb)
				7.4	16.3	7.6	16.8

Machine Settings

ID-Moba: HA1801

Separator: 912

Denester settings:

L	G	J	II	I2
40	24	8	14	37

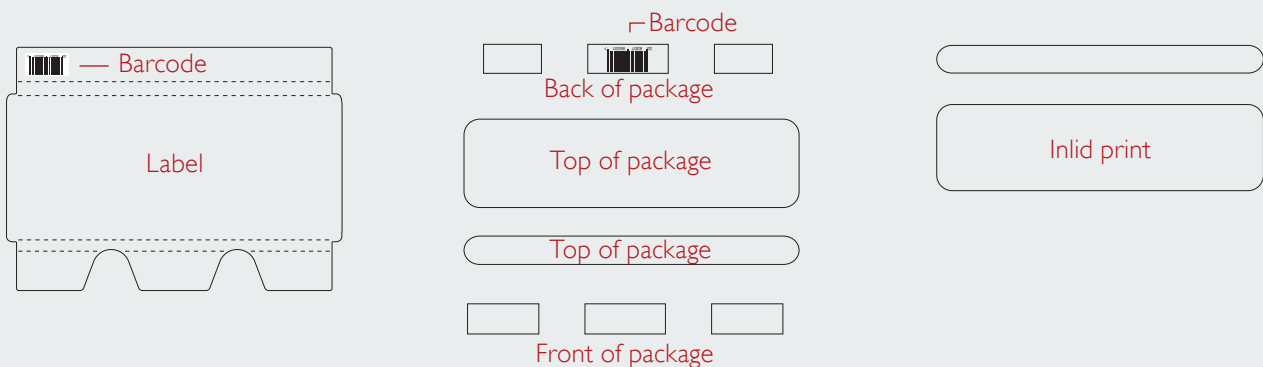
ID-Sanovo (Staalkat): HA-037

Print Parameters

Label: Litho
4 colors (process print),
spot colors on request

Direct Print: Dry Offset
Top - 4 spot colors*
Front & Back - 2 spot colors*
*inks from Hartmann custom Library

Inlid Print: Dry Offset
1 spot color*
*inks from Hartmann custom Library



Dielines for labels and print areas can be downloaded at www.hartmann-packaging.com

Certification (optional)

