

# 1 x 12 HartTop Jumbo R8912\*

**Product**

**Colors**

Standard color

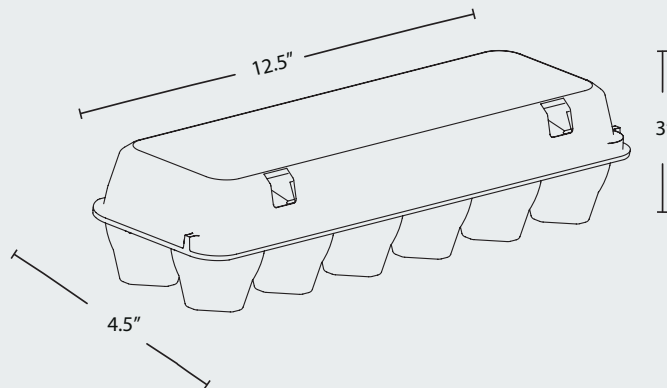
**white**
**Availability**

Label

\*Only available via import from Europe

**Egg Sizes**

Our R8912 egg cell is constructed for weight class Jumbo.

**Product Dimensions**


	<b>Length</b>	<b>Width (open)</b>	<b>Height (open)</b>	<b>Width (closed)</b>	<b>Height (closed)</b>
<b>Millimetres-Measurements</b>	318	279	76	114	76
<b>Inches-Measurements</b>	12.5	11	3	4.5	3

1 x 12 HartTop Jumbo R8912\*

**Average Dry Weight**

With direct print: 68.5 g | 2.4 oz

**Bundle Specs**

Cartons: 120	Length	Width	Height	Bundle Weight	
<b>Millimetres-Measurements</b>	1138	279	318	(kg)	(lb)
<b>Inches-Measurements</b>	44.8	11	12.5	8.2	18.1

**Machine Settings**

**ID-Moba: HA1211**

Separator: 800

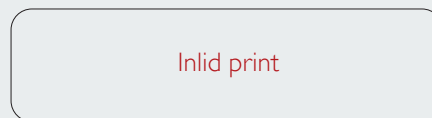
Denester settings:

L	G	J	11	12
20	28	7	15	38

**Print Parameters**

Label: Litho  
4 colors (process print),  
spot colors on request

Inlid Print: Dry Offset  
Black ink only



Dielines for labels and print areas can be downloaded at [www.hartmann-packaging.com](http://www.hartmann-packaging.com)

**Certification (optional)**

