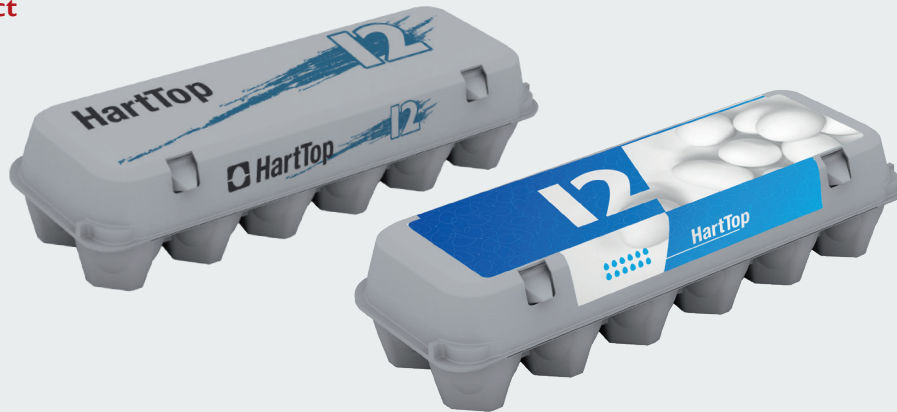
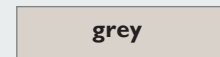


1 x 12 HartTop R85I2

Product

Colors

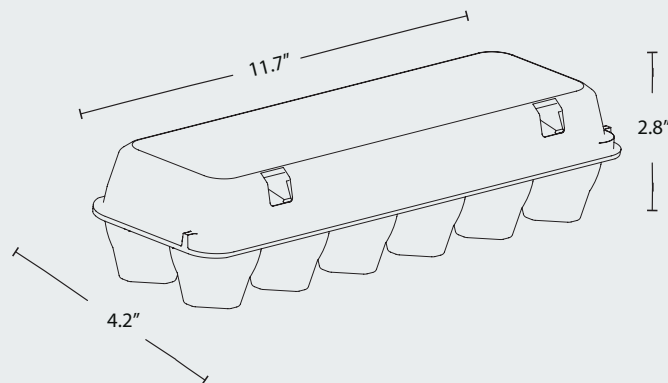
Standard color


Availability

 Direct print
Label

Egg Sizes

Our R85I2 egg cell is constructed for weight classes S, M, L and XL.

Product Dimensions


	Length	Width (open)	Height (open)	Width (closed)	Height (closed)
Millimetres-Measurements	297	246	71	107	71
Inches-Measurements	11.7	9.7	2.8	4.2	2.8

1 x 12 HartTop R8512

Average Dry Weight

With direct print: 54 g | 1.9 oz With label: 57.2 g | 2 oz

Bundle Specs

Cartons: 125	Length	Width	Height	Direct print		Label	
Millimetres-Measurements	1016	246	297	Bundle Weight		Bundle Weight	
Inches-Measurements	40	9.7	11.7	(kg)	(lb)	(kg)	(lb)
				6.8	14.9	7.2	15.8

Machine Settings

ID-Moba: HAI204

Separator: 802

Denester settings:

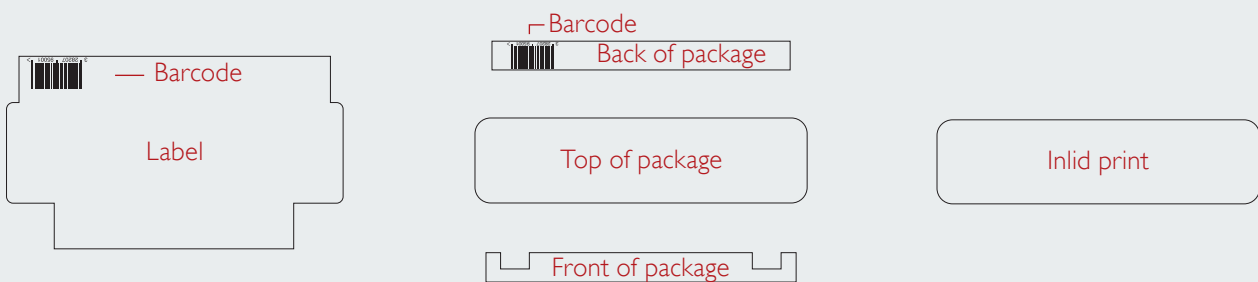
L	G	J	II	I2
13	23	6	14	36

Print Parameters

Label: Litho
4 colors (process print),
spot colors on request

Direct Print: Dry Offset
Top - 4 spot colors*
Front & Back - 2 spot colors*
*inks from Hartmann custom Library

Inlid Print: Dry Offset
1 spot color*
*inks from Hartmann custom Library



Dielines for labels and print areas can be downloaded at www.hartmann-packaging.com

Certification (optional)

