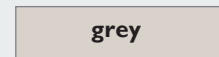


# 1 x 12 HartVue Jumbo R8712

**Product**

**Colors**

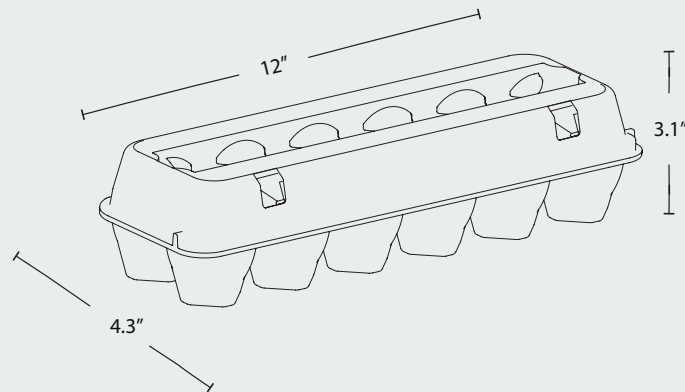
Standard color


**Availability**

Direct print

**Egg Sizes**

Our R8712 egg cell is constructed for weight class Jumbo.

**Product Dimensions**


	Length	Width (open)	Height (open)	Width (closed)	Height (closed)
<b>Millimetres-Measurements</b>	305	259	58	109	79
<b>Inches-Measurements</b>	12	10.2	2.3	4.3	3.1

1 x 12 HartVue Jumbo R8612

**Average Dry Weight**

With direct print: 61g | 2.2 oz

**Bundle Specs**

Cartons: 125	Length	Width	Height	Bundle Weight (kg) (lb) 7.6 16.8
Millimetres-Measurements	1016	259	305	
Inches-Measurements	40	10.2	12	

**Machine Settings**

**ID-Moba: HAI205**

Separator: 802

Denester settings:

L	G	J	II	I2
17	26	6	14	36

**ID-Sanovo (Staalkat): HA-045**

**Print Parameters**

Direct Print: Dry Offset

Top - 4 spot colors\*

Front & Back - 2 spot colors\*

\*inks from Hartmann custom Library

Barcode



Top of package



Top of package



Front of package



Dielines for labels and print areas can be downloaded at [www.hartmann-packaging.com](http://www.hartmann-packaging.com)

**Certification (optional)**

