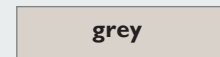


1 x 12 HartVue R8612

Product

Colors

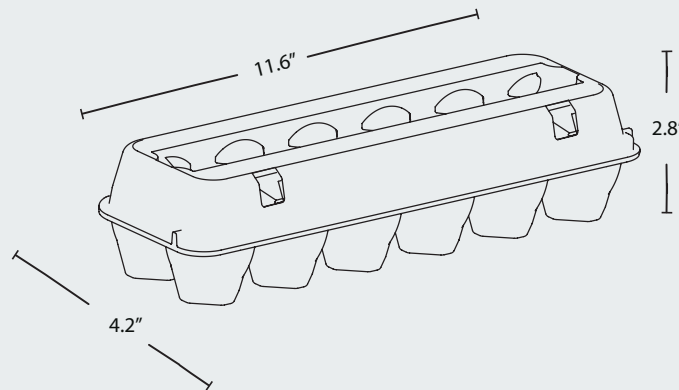
Standard color


Availability

Direct print

Egg Sizes

Our R8612 egg cell is constructed for weight classes S, M, L and XL.

Product Dimensions


	Length	Width (open)	Height (open)	Width (closed)	Height (closed)
Millimetres-Measurements	295	246	53	107	71
Inches-Measurements	11.6	9.7	2.1	4.2	2.8

1 x 12 HartVue R8612

Average Dry Weight

With direct print: 54 g | 1.9 oz

Bundle Specs

Cartons: 150	Length	Width	Height	Bundle Weight (kg) (lb) 8.1 17.9
Millimetres-Measurements	1016	246	295	
Inches-Measurements	40	9.7	11.6	

Machine Settings

ID-Moba: HAI207

Separator: 802

Denester settings:

L	G	J	II	I2
14	14	6	14	36

ID-Sanovo (Staalkat): HA-046

Print Parameters

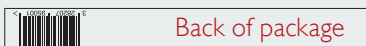
Direct Print: Dry Offset

Top - 4 spot colors*

Front & Back - 2 spot colors*

*inks from Hartmann custom Library

Barcode



Top of package

Top of package

Front of package

Dielines for labels and print areas can be downloaded at www.hartmann-packaging.com

Certification (optional)

