

I x 10 Plus Pack™ E3210



Product range



Label



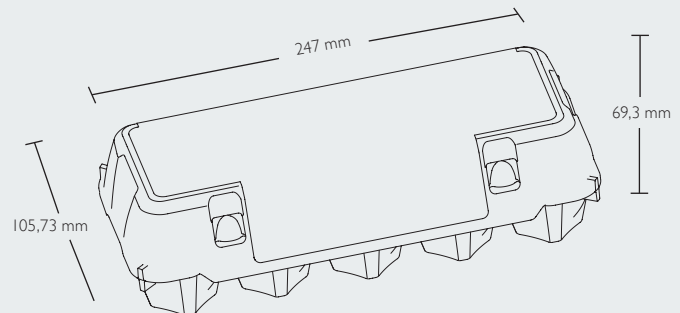
Direct print

Egg sizes

Our E3210 egg cell is constructed for weight classes S, M, L

Product dimensions (closed)

Width: 105,73 mm
 Height: 69,3 mm
 Length: 247 mm



Colours*

Standard colours



*Subject to changes.

1 x 10 Plus Pack™ E3210


Average product weight

 With label: 42.8 g
 With direct print: 40.7 g

Quantities

Pallet:	44A one way	79 one way UK
Units per bundle:	67	tbc
Units per pallet:	4,690	tbc

Machine settings
Moba Code: HAI010

Gripper Set No.: 858

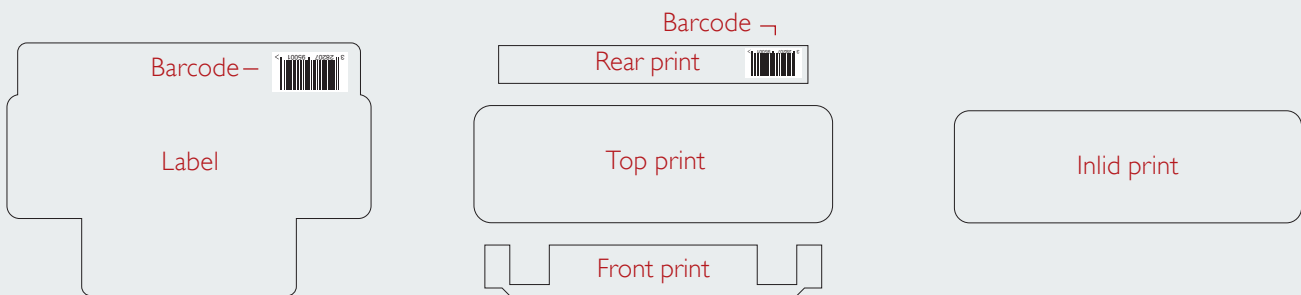
Denester settings:

L	G	J	II	I2
12	12	26	17	36

Sanovo Code (Staalkat): HA-0061
Disclaimer
Please consult MOBA and SANOVO for confirmation of the machine settings
Decorations

 Label:
 CMYK and up to 2 spot colours on request

 Direct print:
 Top: 4-colour
 Front and rear: 2-colour

 Inlid print:
 1-colour black

 Modules for labels and print areas can be downloaded at www.hartmann-packaging.com
Certification

Certifications (optional)
