

1 x 12 Mini Poster Pack™ / Plus Pack™ E5412

Product range

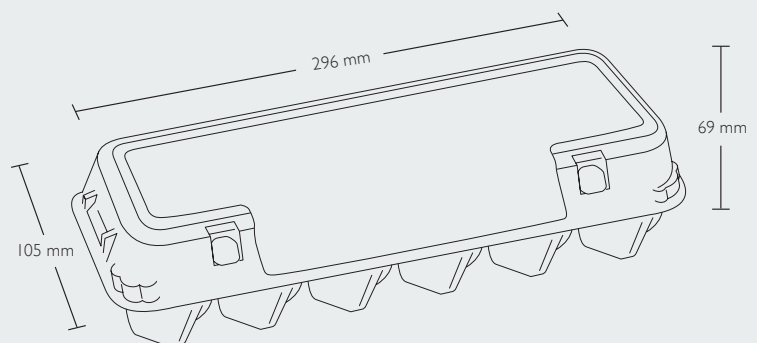


Egg sizes

Our E5412 egg cell is constructed for weight classes S, M, L

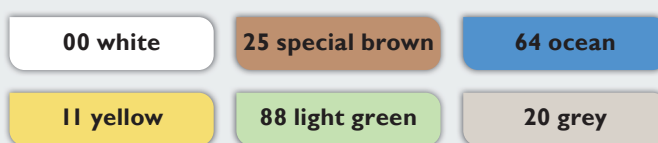
Product dimensions (closed)

Width: 105 mm
 Height: 69 mm
 Length: 296 mm



Colours

Standard colours



1 x 12 Mini Poster Pack™ / Plus Pack™ E5412

Average product weight

With label: 54.0 g
 With direct print: 51.3 g

Quantities

Pallet:	44A one way	79 one way UK
Units per bundle:	59	65
Units per pallet:	3,304	4,160

Machine settings

Moba Code: H044DK

Gripper Set No.: 800
 Denester settings:

L	G	J	II	I2
13	24	6	14	36

Disclaimer
 Please consult MOBA and SANOVO
 for confirmation of the machine settings

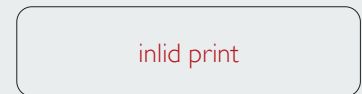
Sanovo-Code (Staalkat): HA-017

Decorations

Label on Mini Poster Pack™:
 4-colour label.
 Spot colours on request

Direct print on Plus Pack™:
 Top: 4-colour.
 Front and rear: 2-colour

Inlid print:
 I-colour black



Modules for labels and print areas can be downloaded at www.hartmann-packaging.com

Certification



Certifications (optional)

