

I x 15 Mini Poster Pack™ / Plus Pack™ E5915

Product range

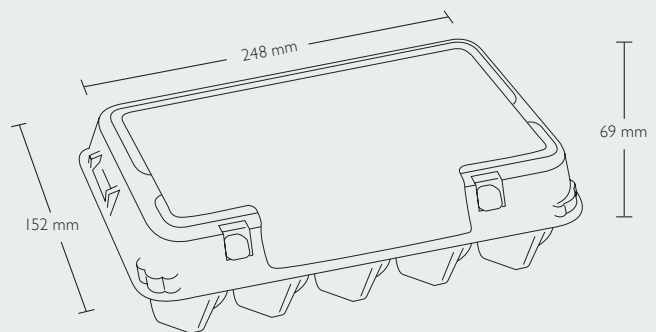


Egg sizes

Our E5915 egg cell is constructed for weight classes S, M, L

Product dimensions (closed)

Width: 152 mm
Height: 69 mm
Length: 248 mm



Colours

Standard colours

00 white

20 grey

1 x 15 Mini Poster Pack™ / Plus Pack™ E5915

Average product weight

With label: 65.0 g
 With direct print: 62.2 g

Quantities

Pallet:	34 one way	79A one way UK
Units per bundle:	50	59
Units per pallet:	3,500	3,186

Machine settings

Moba Code: HAI501

Gripper Set No.: 800
 Denester settings:

L	G	J	II	I2
39	13	27	14	37

Sanovo Code (Staalkat): HA-020

Disclaimer

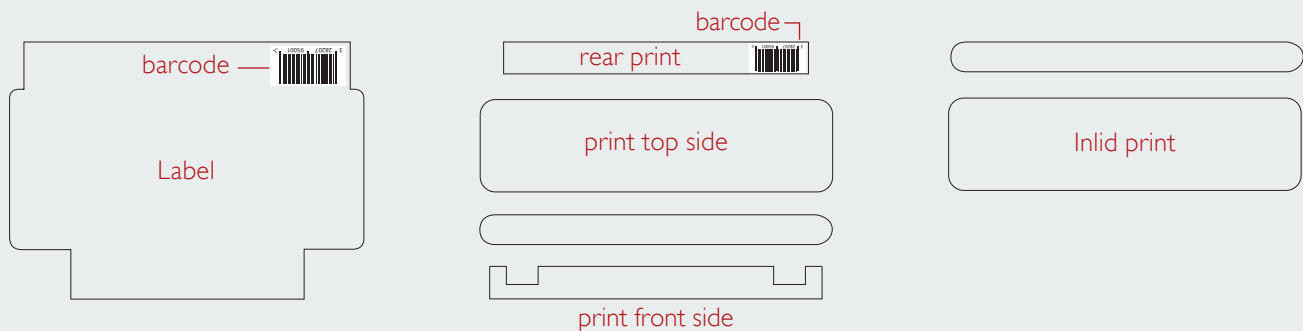
Please consult MOBA and SANOVO for confirmation of the machine settings

Decorations

Label on Mini Poster Pack™:
 4-colour label.
 Spot colours on request

Direct print on Plus Pack™:
 Top: 4-colour.
 Front and rear: 2-colour

Inlid print:
 I-colour black



Modules for labels and print areas can be downloaded at www.hartmann-packaging.com

Certification



Certifications (optional)

