

1 x 18 Mini Poster Pack™ / Plus Pack™ E3918

Product range

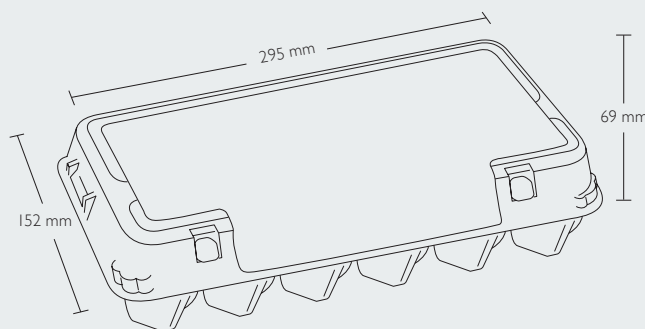


Egg sizes

Our E3918 egg cell is constructed for weight classes S, M, L

Product dimensions (closed)

Width: 152 mm
Height: 69 mm
Length: 295 mm



Colours

Standard colours

00 white

20 grey

1 x 18 Mini Poster Pack™ / Plus Pack™ E3918

Average product weight

With label: 77.9 g
 With direct print: 74.5 g

Quantities

Pallet:	34 one way	79A one way UK
Units per bundle:	50	59
Units per pallet:	2,800	2,832

Machine settings

Moba Code: H038DK

Gripper Set No.: 800
 Denester settings:

L	G	J	II	I2
39	24	8	14	37

Sanovo Code (Staalkat): HA-019

Disclaimer

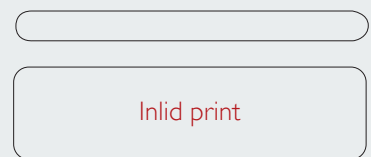
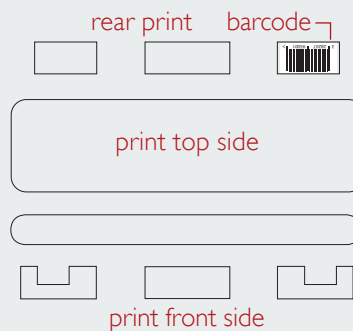
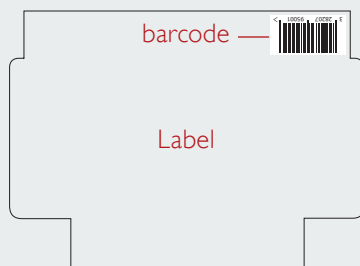
Please consult MOBA and SANOVO for confirmation of the machine settings

Decorations

Label on Mini Poster Pack™:
 4-colour label.
 Spot colours on request

Direct print on Plus Pack™:
 Top: 4-colour.
 Front and rear: 2-colour

Inlid print:
 1-colour black



Modules for labels and print areas can be downloaded at www.hartmann-packaging.com

Certification



Certifications (optional)

