

I x 10 Mini Poster Pack™ / Plus Pack® E3310

Product range

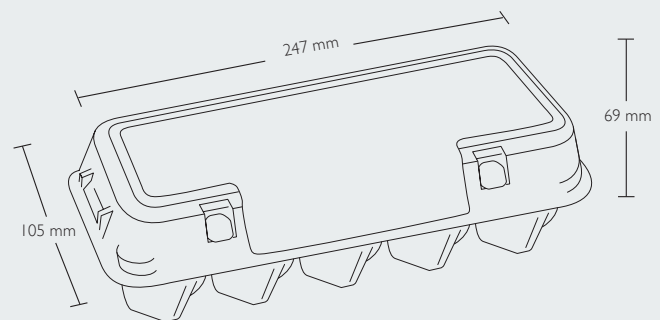


Egg sizes

Our E3310 egg cell is constructed for weight classes S, M, L

Product dimensions (closed)

Width: 105 mm
 Height: 69 mm
 Length: 247 mm



Colours

Standard colours



I x 10 Mini Poster Pack™ / Plus Pack® E3310

Average product weight

With label: 46.6 g
 With direct print: 44.4 g

Quantities

Pallet:	44A one way	79 one way UK
Units per bundle:	59	65
Units per pallet:	4,130	5,200

Machine settings

Moba Code: H017DK

Gripper Set No.: 800
 Denester settings:

L	G	J	II	I2
13	12	27	14	36

Sanovo Code (Staalkat): HA-008

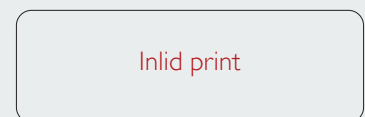
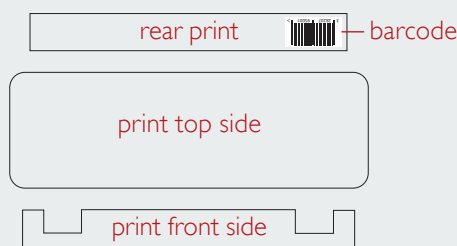
Disclaimer
 Please consult MOBA and SANOVO
 for confirmation of the machine settings

Decorations

Label on Mini Poster Pack™:
 4-colour label.
 Spot colours on request

Direct print on Plus Pack®:
 Top: 4-colour.
 Front and rear: 2-colour

Inlid print:
 1-colour black



Modules for labels and print areas
 can be downloaded at
www.hartmann-packaging.com

Certifications (optional)

