

1 x 10 Fresh Pack™ E3810

Product range



Egg sizes

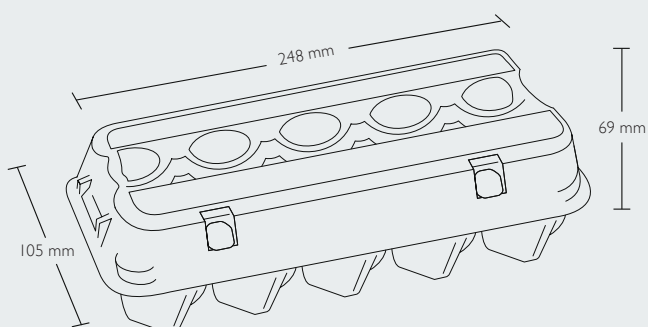
Our E3810 egg cell is constructed for weight classes S, M, L

Product dimensions (closed)

Width: 105 mm

Height: 69 mm

Length: 248 mm



Colours

Standard colours

25 special brown

20 grey

31 special yellow

1 x 10 Fresh Pack™ E3810

Average product weight

With direct print: 44.4 g

Quantities

Pallet: 44A one way
 Units per bundle: 56
 Units per pallet: 5,040

Machine settings

Moba-Code: HAI006

Gripper Set No.: 802

Denester settings:

L	G	J	II	I2
13	12	27	14	36

Sanovo Code (Staalkat): HA-011

Disclaimer

Please consult MOBA and SANOVO for confirmation of the machine settings

Decorations

Direct print
 Top: 4-colour
 Front and rear: 2-colour

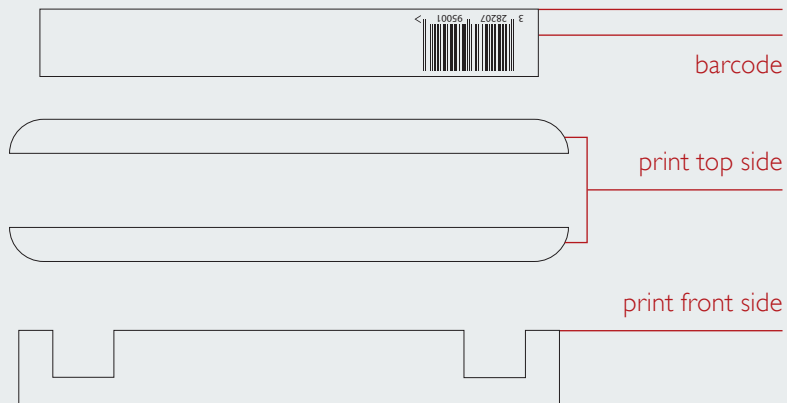
Outside print area

rear print

barcode

print top side

print front side



Modules for print areas can be downloaded at www.hartmann-packaging.com

Certifications (optional)

